

Important Safeguards:

When using electrical equipment, basic safety precautions should always be followed including the following:

Read and follow all safety instructions

1. **Danger** - Risk of shock - Disconnect power before installation
2. **Product must be installed in accordance with CEC or your local electrical code.** If you are not familiar with these codes and requirements, consult a qualified electrician.

SAVE THESE INSTRUCTIONS FOR FUTURE REFERENCE



Notes:

- Available luminaire lengths are 2', and 4'.

Installation Instructions:

Figure 1.

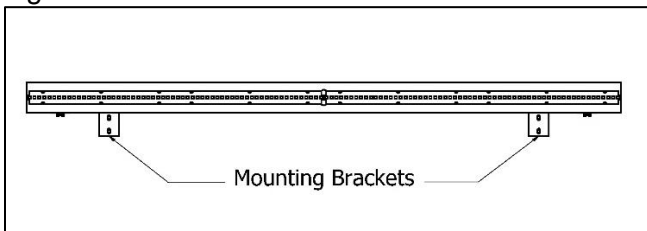


Figure 2.

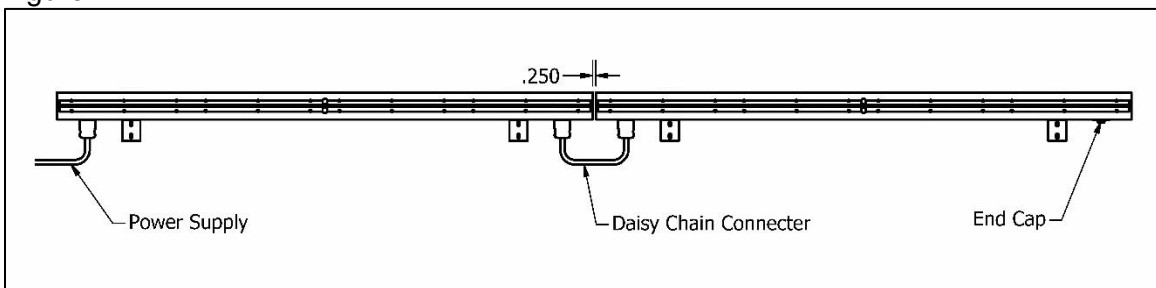
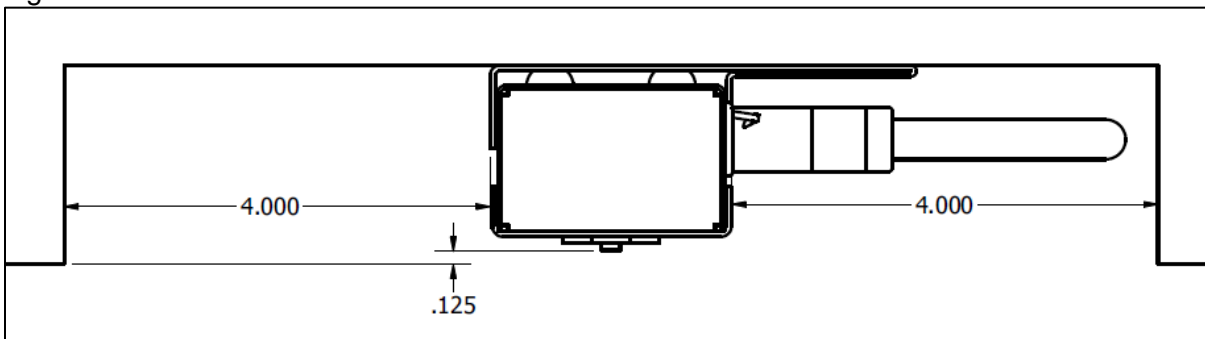


Figure 3.



Luminaire Installation:

BLSPC-W27

Step 1:

Attach the Mounting brackets to the BLSPC body. (See Figure 1)

Step 2:

Place the fixture against the ceiling and screw fixture into place using the mounting bracket that are attached to the fixture. The minimum gap between fixtures is 0.25" and the minimum space between the fixture and the cove is 4.00". (See Figures 1-3)

Step 3:

See **Electrical Connections** for wiring information and **See Figure 2**.

Electrical Connections:

Step 1:

On the last fixture insert the male end cap into the open socket.

Step 2:

Connect the fixtures together by using the W27 black power jumpers. (See table below)

Step 3:

Power the fixtures by connecting the W27 black power cord to the fixture and plugging it into a standard outlet.

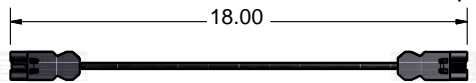
W27 option can only be used with the following cords.

Order Guide for Jumpers and Power Cord	
Part #	Description
15578	W27 4ft Black Power Cord Assembly
15579	W27 18inch Black Power Jumper Assembly
15599	W27 8inch Black Power Jumper Assembly
15634	W27 36inch Black Power Jumper Assembly

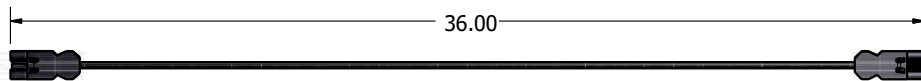
15599 - W27 8inch Black Power Jumper Assembly



15579 - W27 18inch Black Power Jumper Assembly



15634 - W27 36inch Black Power Jumper Assembly



15578 - W27 4ft Black Power Cord Assembly

